

- 1 1/4" NPT
- Brass Body
- 2-Way Zero Differential
Piloted Diaphragm
- Normally Closed



Materials	Seals:	Nitrile, Viton®, Ethylene Propylene
	Orifice:	Pilot: Stainless Steel Main: Brass Ø 1 1/4"
Electrical	Standard Housing:	Encapsulated Waterproof Conduit (NEMA 4/4X)
	Optional Housings:	Metallic Conduit, Explosion-proof (NEMA 7), Grommet, Open Frame, Junction Box (single or dual knockouts), DIN; Contact GC Valves Customer Service for others.
	Standard Voltages:	24, 120, 240 AC 60 Hz; 50 Hz available 6, 12, 24 DC; Contact GC Valves Customer Service for Additional Voltages.
	Voltage Tolerance:	±10% of applicable voltage
	Coil Classes:	F, H, N
	Standard Lead Length:	24 inch
Operating Temperature	Ambient (Nominal):	32°F to 125°F
Mounting	Position:	Vertical and Upright
Approvals*	Agency:	UL Listed, UL Recognized, CSA Approved

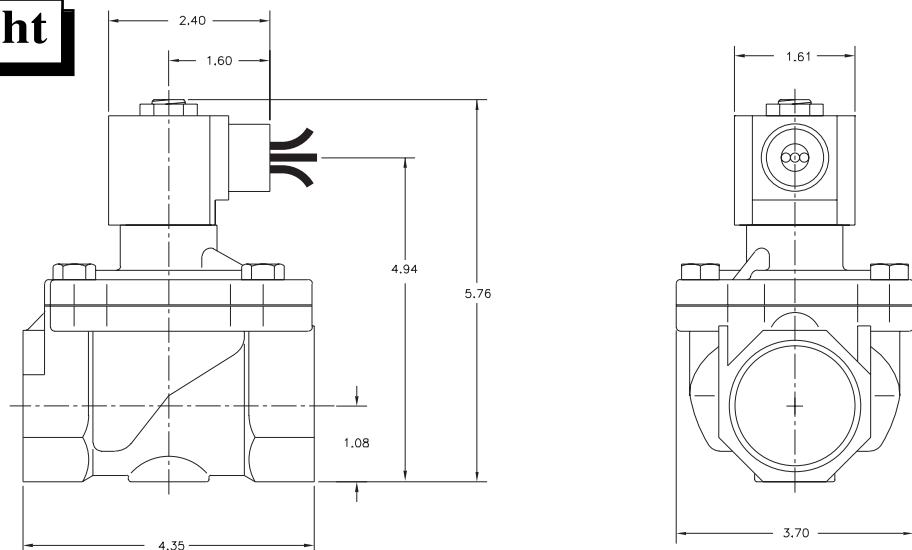
* Not available for all variations

© Registered Trademark of DuPont Co.

Dimensions/Weight

Weight (lbs.)

5.7



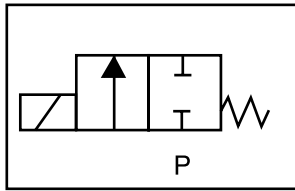
GC Valves Customer Service: 800-828-0484 (7:30am to 4pm ET) or 800-582-4232 (7:30am to 4pm PT)



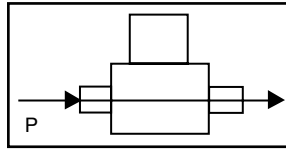
S201 – 1 1/4" NPT, Brass Body, Normally Closed

Valve Selection List

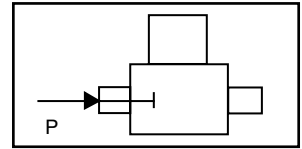
Normally Closed



Energized



De-Energized



Pipe Size NPT	Orifice Size IN	C _v	Minimum	Operating Pressure Differential (psi)								Max Fluid Temp. °F	Seal Material	Power Consumption (Watts)		Model Code (120V/60HZ — 110V/50HZ) Shown
				Maximum										AC	DC	
				AC	DC	AC	DC	AC	DC	AC	DC			AC		
1 1/4	1 1/4	18	0	100	100	100	100	—	—		290	EPR	10	—	S201GF02ÓÍ GJ2	
	1 1/4	18	0	100	100	100	100	—	—		180	Nitrile	10	—	S201GF02PÍ GJ2	
	1 1/4	18	0	100	100	100	100	—	—		230	Viton	10	—	S201GF02XÍ GJ2	
	1 1/4	18	0	—	—	—	—	—	—	50*	295	EPR	10	—	S201GH02C5GJ2	

* Class H Coil Recommended for Steam and Other High Temperature Applications

Part Numbering

1	2	3	4	5	6	7	8	9	10	11	12	13
S	2	0	1	G	F	0	2	C	5	G	J	2
Series			Operating Mode	Housing*	Coil Class*	Voltage*		Seal Material	Body Material	Pipe Connection	Orifice Size	
S20			1: Normally Closed	G: Conduit	F: Class F H: Class H	02: 120/60 110/50		C: EPR N: Nitrile V: Viton	5: Brass	G: 1 1/4" NPT	J2: 1 1/4"	
* See the "Engineering Guide" for additional voltages, variations and options.												

Coil Data

Coil Family	
Type	Size
All	S4

Frequency (Hz)	60	50	
Nominal Power (VA)	Inrush	46	46
	Holding	18	19

GC Valves Customer Service: 800-828-0484 (7:30am to 4pm ET) or 800-582-4232 (7:30am to 4pm PT)